

Copper SB

Smart charging designed for endless possibilities



Powerful EV charge

Up to 22 kW of charging capacity.



Durability

Safely install and use your charger indoors or outdoors.



Two-year warranty

Developed and manufactured in Europe, Copper SB is designed to last.



Flexible

Its integrated socket allows charging for any EV on the market.



Easy to share

Secure shared access through the use of RFID cards, or the myWallbox app.



Connected

Connects to any smart device via Wi-Fi, Bluetooth, Ethernet, or 4G (optional).



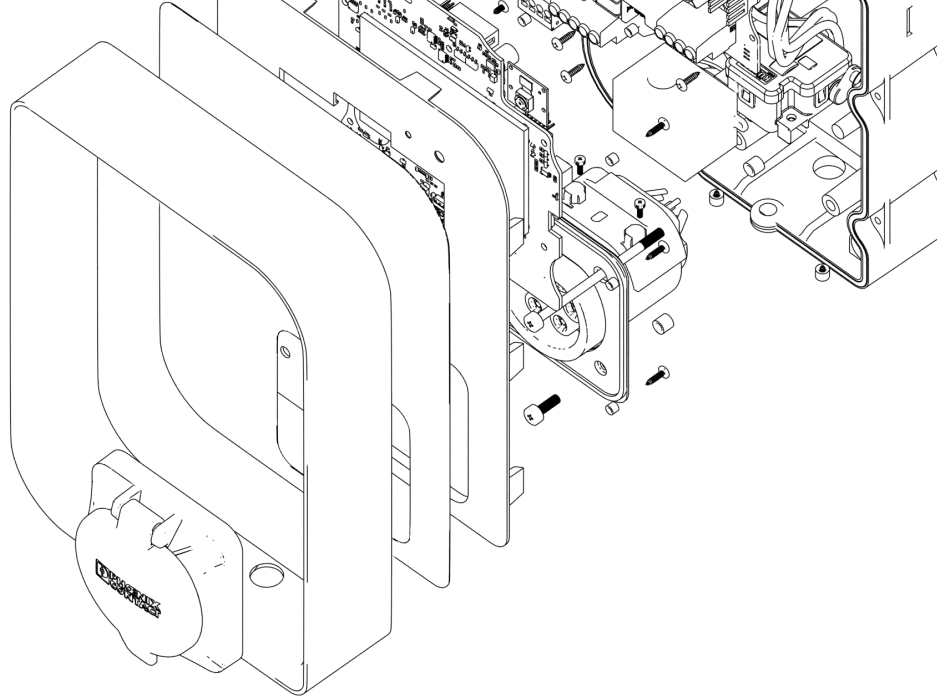
Controllable

Smart control your charger using the myWallbox platform.



Power Sharing

Connect two or more chargers to the same electrical circuit and charge multiple EVs at once.



Product Details

GENERAL SPECIFICATIONS

Colour:	Black
Charging mode	Mode 3
Dimensions:	260x192x113mm
Weight:	2kg

CONNECTIVITY & USER INTERFACE

Connectivity:	Wi-Fi / Ethernet / Bluetooth / Optional: 3G-4G
User Identification:	RFID Card / myWallbox app
User Interface:	myWallbox app & portal
Charger Status Information:	RGB LED / myWallbox app & portal
Included Features:	Power Sharing
Optional Features:	Power Boost / Dynamic Power Sharing / MID Meter
Communication Protocol:	myWallbox / OCPP 1.6j

ELECTRICAL SPECIFICATIONS

Maximum	7,4 kW (1Phase) /
Charging Power:	22 kW (3Phase)
Rated Voltage AC±10%:	220 V to 240 V (7,4kW) / 400 V (11kW and 22kW)
Rated Current:	32 A (7,4 kW - 1Phase) / 16 A (11 kW - 3Phase) / 32 A (22 kW - 3Phase)
Connector type:	Socket (Type 1 and Type 2)
Cable Section:	5x10mm ²
Configurable Current:	from 6 A to rated current
Protection Rating:	IP54 / IK08
Residual Current Detection:	DC 6 mA